

CHOPPED STRAND MAT FOR HAND LAY-UP

EMAT1



CAMELYAF GLASSFIBER / EMAT1 emulsion bonded chopped strand mat is made from "E" glass fiber with,

- good weight distribution,
 - fast wetting out,
 - minimum rolling-out,
 - easy impregnation,
 - low resin consumption,
 - excellent drapability,
 - good tensile properties,
- for general purpose hand lay-up applications. The silane based sizing is compatible with polyester resins.

Code for ordering : EMAT1-225; EMAT1-300; EMAT1-375
EMAT1-450; EMAT1-600 (Roll Width) (+Packaging Code)

Identification : EMAT1 (01) EB-450-30 (100) (+Packaging Code)

EMAT1	: Product name	425	: Weight per unit area
(01)	: CE sizing code	33	: Split tex count
EB	: Emulsion binder	100	: Roll width

Product Specification

Type of glass	: E	Resin compatibility	: Polyester
Filament diameter (μ)	: Nom.12	Weight per unit area (g/m²)	: 450 ± %5
Split tex count (g/1000 m)	: 33	Wet-out	: Medium
Coupling agent	: Silane	Length of chopped fibres (mm)	: 50

Roll widths up to 320 cm are available upon request.

EMAT1 roll length is available from 75 m to 240 m depending on weight per unit area.

Upon request, EMAT1 may be supplied with untrimmed edges :

UT1= One untrimmed edge.

UT2= Two untrimmed edges (Between 280 - 320 cm width)

Please add these codes after packaging code.

EMAT1 Chopped strand mat is produced conforming ISO 9001: 2000

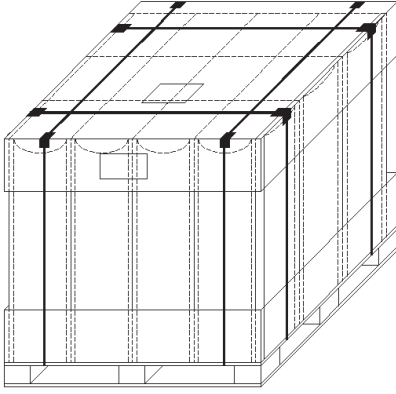
PACKAGING EXPLANATION

EMAT1

STANDART PACKAGING CODES : DK 12, DK 15

PACKAGING CODE: DK12

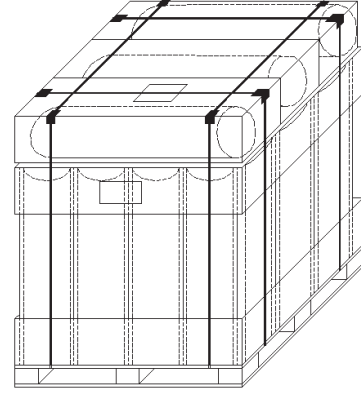
D (Pallet Size) : 110 cm x 146 cm
12 : Number of Rolls



DK12

PACKAGING CODE: DK15

D (Pallet Size) : 110 cm x 146 cm
15 : Number of Rolls



DK15

Packaging:

Each roll is packed individually in polyethylene film for protection against moisture, abrasion and contamination and each roll which is packed by polyethylene film is put into carton boxes and then rolls with carton boxes delivered on stretch film wrapped pallets with cardboard overpack and assembled by plastic straps.